

THERMAQUA

by Vernet

THERMOSTATIC
CARTRIDGE

THQ27

MINI DESIGN TEMPERATURE REGULATION



VERNET TECHNOLOGY INSIDE

The **THQ27** is a world-class thermostatic regulation system within a mini design result of years of experience

- ✓ Recommended for all slim sanitary faucets
- ✓ Used in mixing valves for temperature limitation
- ✓ Includes a special Vernet thermostatic element
- ✓ Simplified design without compromise on efficiency
- ✓ Ensures the steadiest mixed outlet water temperature
- ✓ Withstand up to 35 bar (508 psi) under static pressures
- ✓ Offers long life product reliability

HEAVY DUTY CARTRIDGE

The **THQ27** ensures a steady & precise outlet temperature under any hydraulic conditions

- ✓ Regulation range (15 to 60°C - 59 to 140°F) with maximum accuracy in the temperature range (34 to 42°C - 93.2 to 107.6°F)
- ✓ Preset at comfort temperature point: 38°C (100.4°F)
- ✓ Water flow shutdown upon cold water supply failure
- ✓ Water saving and energy saving

QUALITY

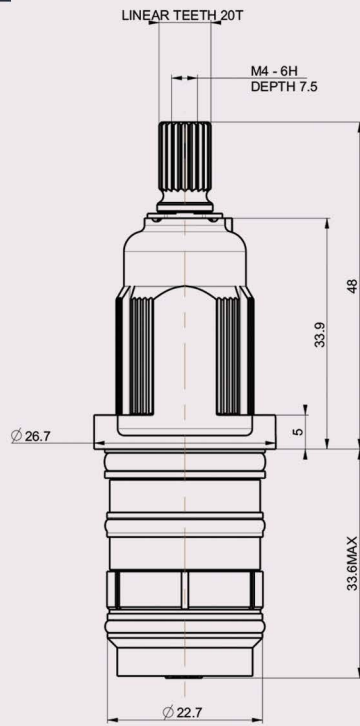
Each cartridge is individually checked for stability, flow, operating torque, leakage and anti-scald function

CERTIFICATIONS

Raw material is certified **ACS**, **KTW** and **WRAS**

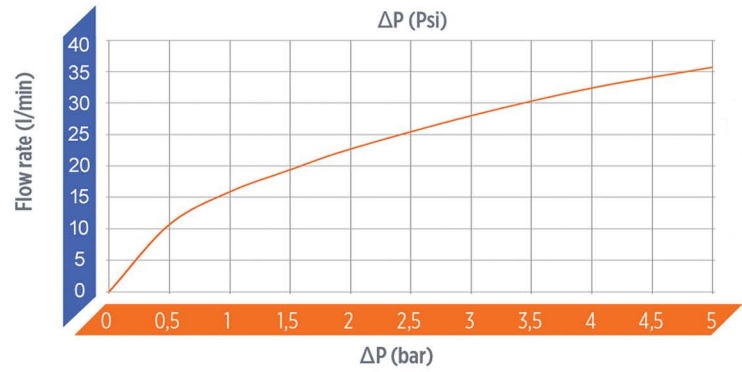
THQ27 (in mm)

DIMENSIONS



THQ27

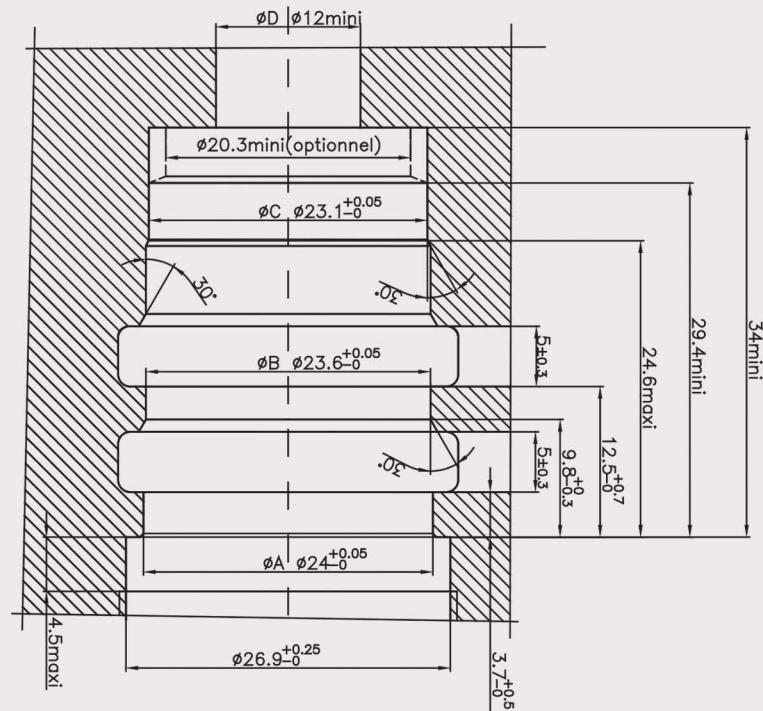
FLOW RATE



RECOMMENDATION

- ✓ **The** performance of the mixing valve does not only depend on the cartridge but also on the construction of the valve body and other devices.
- ✓ **Flow** rate measured in a Vernet valve body at mid-temperature.

THQ27 HOUSING (in mm)



THERMAQUA
by Vernet

get in
TOUCH



WeChat Account



Download E-catalogues

www.vernet-group.com